

01 - 09.7

06.09.GB

**Check valves
ZV 226 LDM**



ZV 226



Check valves DN 15 to 200, PN 40

Description

Check valves ZV 226 are self-acting shut-off valves for application at long-lasting and maintenance-free operation. Valves meet the ČSN EN 14341. Valves in execution ZV 226 P are closed by back pressure with spring with weight of plug assistance, Opening overpressure is 0,05 - 0,1 bar. Valves in execution ZV 226 T are closed by back pressure only with weight of plug assistance.

Application

The valve is designed for application as self-acting reverse shut-off valve. In the valve is warranted Leakage rate class 'C' acc. to ČSN - EN 12266-1 therefore in the case of higher tightness request is necessary to install into pipeline the shut off valve. The valves are especially designed for applications in hot-water and steam circuits in power plants, heating plants, heat exchange stations, heat transferring stations and common heating applications.

Process media

The valves ZV 226 are suitable to use for water, steam and other liquids and gases which are compatible with used material of the valve body and inner parts.

Installation

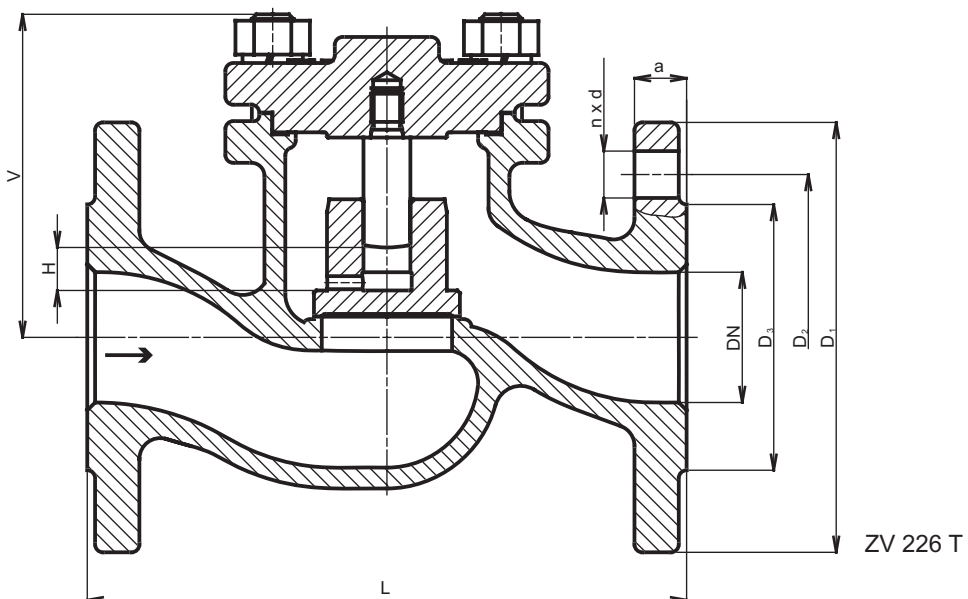
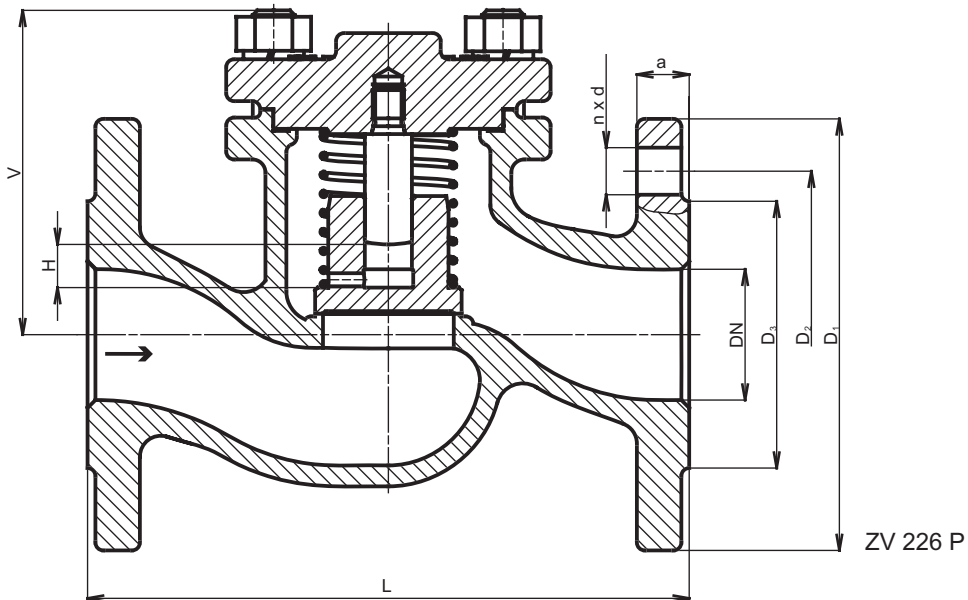
The valves are designed for mounting in a horizontal pipeline by the bonnet upwards, flow direction is always to under the plug and is determined by the arrow on the body.

Technical data

Series	ZV 226
Type of valve	Check valve
Nominal size range	DN 15 to 200
Nominal pressure	PN 40
Body material	Cast steel 1.0619
Plug material	Stainless steel 1.4028
Material pin	Stainless steel 1.4021
Spring material	Stainless steel 1.4310
Operating temperature range	-10 to +400°C
Connection	Flanges Type B1 (raised-faised) acc. to ČSN-EN 1092-1 (3/2008) Face to face dimensions acc. to ČSN-EN 558-1 (3/1997)
Type of plug	Disc
Kvs values	4,3 to 570 m ³ /h
Leakage rate	Rate C acc.to ČSN-EN 12266-1 (11/2003)

Dimensions and weights for the ZV 226

DN	D ₁ mm	D ₂ mm	D ₃ mm	d mm	n	a mm	H mm	L mm	V mm	m kg
15	95	65	45	14	4	16	6	130	75	3
20	105	75	58			4				
25	115	85	68			4.5				
32	140	100	78			7.5				
40	150	110	88	18	8	10	16.5	91	8	
50	165	125	102			20			13.5	
65	185	145	122			22			17	
80	200	160	138			24			28	
100	235	190	162	22	8	25	40	350	176	40
125	270	220	188	26		71				
150	300	250	218	28		95				
200	375	320	285	30		12				50



The valve complete specification No. for ordering ZV 226

		XX	XXX	XXX	XX	/	XXX	-	XXX
1. Valve	Check valve, direct	ZV							
2. Type	Check valve made of cast steel 1.0619		226						
3. Function	Check valve with spring			P					
	Check valve without spring			T					
4. Connection	Raised-raised flange (See note)			1					
5. Material body	Cast steel 1.0619			1					
6. Nominal pressure PN	PN 40				40				
7. Max. temperature °C	400°C						400		
8. Nominal size DN	DN 15 to 200								XXX

Ordering example: **ZV 226 P11 40/400-050**

Note: Other type of connection (plain flange, female flange, etc.) on request.

Kvs, differential pressure values and loss coefficient ζ (zeta)

DN	Kvs [m ³ /h]	ζ	Δp_{max} [MPa]
15	4.3	4.5	4.00
20	7.0	5.2	4.00
25	11.0	5.2	4.00
32	17.5	5.5	4.00
40	27.0	5.6	4.00
50	47.0	4.5	4.00
65	68.0	6.2	4.00
80	116.0	4.9	4.00
100	162.0	6.1	4.00
125	250.0	6.2	4.00
150	364.0	6.1	2.00
200	570.0	7.9	4.00

Max. permissible pressure values [MPa]

Material	PN	Temperature [°C]									
		RT ¹⁾	100	120	150	200	250	300	350	375	400
Cast steel 1.0619 (GP240GH)	40	3.90	3.41	3.31	3.17	2.84	2.60	2.35	2.19	2.16	2.11

¹⁾ -10°C to 50°C



LDM, spol. s r.o.
Litomyšlská 1378
560 02 Česká Třebová
Czech Republic

tel.: +420 465 502 511
fax: +420 465 533 101
E-mail: sale@ldm.cz
<http://www.ldm.cz>

LDM, spol. s r.o.
Office in Prague
Podolská 50
147 01 Praha 4
Czech Republic

tel.: +420 241 087 360
fax: +420 241 087 192

LDM, spol. s r.o.
Office in Ústí nad Labem
Mezní 4.
400 11 Ústí nad Labem
Czech Republic

tel.: +420 475 650 260
fax: +420 475 650 263

LDM servis, spol. s r.o.
Litomyšlská 1378
560 02 Česká Třebová
Czech Republic

tel.: +420 465 502 411-3
fax: +420 465 531 010
E-mail: servis@ldm.cz

LDM, Polska Sp. z o.o.
Modelarska 12
40 142 Katowice
Poland

tel.: +48 32 730 56 33
fax: +48 32 730 52 33
mobile: +48 601 354 999
E-mail: ldmpolska@ldm.cz

LDM Bratislava s.r.o.
Mierová 151
821 05 Bratislava
Slovakia

tel.: +421 2 43415027-8
fax: +421 2 43415029
E-mail: ldm@ldm.sk
<http://www.ldm.sk>

LDM - Bulgaria - OOD
z. k. Mladost 1
bl. 42, floor 12, app. 57
1784 Sofia
Bulgaria

tel.: +359 2 9746311
fax: +359 2 9746311
GSM: +359 888 925 766
E-mail: ldm.bg@stark-net.net

OOO "LDM Promarmatura"
Moskovskaya street,
h. 21, Office No. 520
141400 Khimki
Russian Federation

tel.: +7 495 777 22 38
fax: +7 495 777 22 38
E-mail: inforus@ldmvalves.com

TOO "LDM"
Lobody 46/2
Office No. 4
100008 Karaganda
Kazakhstan

tel.: +7 7212 566 936
fax: +7 7212 566 936
mobile: +7 701 738 36 79
E-mail: sale@ldm.kz
<http://www.ldm.kz>

LDM Armaturen GmbH
Wupperweg 21
D-51789 Lindlar
Germany

tel.: +49 2266 440333
fax: +49 2266 440372
mobile: +49 177 2960469
E-mail: ldmarmaturen@ldmvalves.com
<http://www.ldmvalves.com>

Your partner