

02 - 03.4
11.03.GB

Steam cooling unit CHP





Steam cooling unit DN 100 and higher, PN 25, 40, 63, 100

Description

CHP is a body that is put directly into the steam pipeline and subsequently serves for connection with either mechanical injection head VH or drive-steam injection head VHP. According to dimensions of the pipeline and necessary intensity of cooling, the body can be equipped with more inlets for connection of VH or VHP.

CHP is supplied with flanges or with weld ends with connection flange 2 for connection of VH or VHP (max. temperature 350°C) or DN 80 (flange 1 DN 150 and higher) and dimensions according to customers requirements.

Application

CHP serves as an in-between link into the steam pipeline into which it is possible to install injection head VH, VHP. It is designed especially for industrial applications such as low-pressure steam production in heating or the steam production for technological processes.

Technical data

Series	CHP	
Execution	Flanged or weld ends	
Nominal diameter range	Flange 1 - DN 100 and higher; flange 2 - DN 50 and 80 *1)	
Nominal pressure	PN 25, 40, 63, 100	
Material of pipe	Cast steel 1.0425	Alloy steel 1.7335
Material of flanges	Cast steel 1.0425	Alloy steel 1.7335
Process medium temperature range	-20 to 400°C (350°C) *)	-20 to 550°C
Connection dimensions (flange 1 / weld ends)	Acc. to ČSN-EN 1092-1 (2/2003) / ČSN EN 12627 (8/2000) *1)	
Connection flange 2 dimensions	Acc. to ČSN-EN 1092-1 (4/2002)	

*) Execution with connection flange 2 DN 50 up to 350°C maximum.

*1) Dimensions and type of connection (flange / weld connection) acc. to customer requirements. It shall be specified in order.

Maximal permissible pressures [MPa]

Material	PN	Temperature [°C]								Testing overpressure at 20°C
		200	250	300	350	400	450	500	550	
Cast steel 1.0425	25	1,78	1,62	1,47	1,37	1,32	---	---	---	3,80
	40	2,84	2,60	2,35	2,19	2,11	---	---	---	6,00
	63	4,48	4,09	3,71	3,45	3,33	---	---	---	9,50
	100	7,11	6,50	5,89	5,48	5,28	---	---	---	15,0
Alloy steel 1.7335	25	---	---	2,08	1,93	1,80	1,67	1,39	0,55	5,30
	40	---	---	3,33	3,09	2,89	2,67	2,23	0,88	8,40
	63	---	---	5,24	4,86	4,55	4,20	3,51	1,39	13,0
	100	---	---	8,32	7,71	7,22	6,67	5,57	2,21	21,0

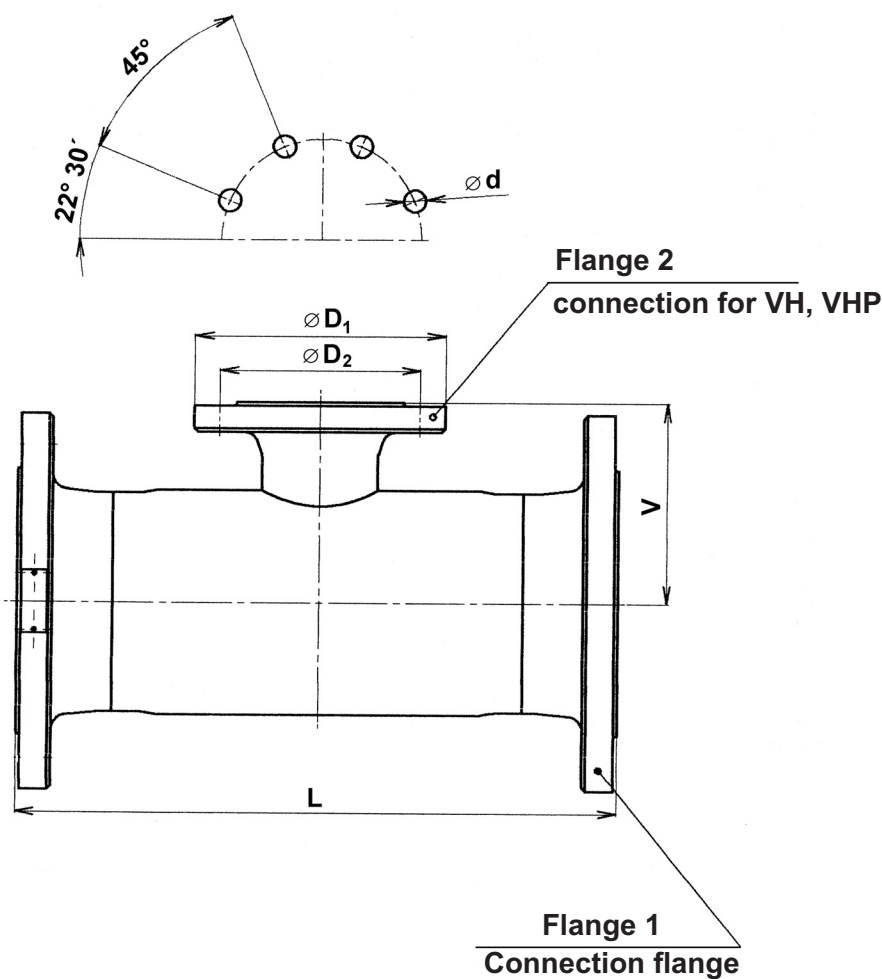
Connection dimensions

1		Flange					V	L
PN	DN	PN	DN	D ₁	D ₂	d		
				mm	mm	mm	mm	mm
25 to 100	min. 100 *1)	100	50 *)	195	145	26	*1)	*1)
			80 **)	230	180			

*) Execution with connection flange 2 DN 50 t_{max} 350°C.

***) Execution with connection flange 2 DN 80 only with flange 1 DN 150 and higher

*1) Dimensions and type of connection (flange / weld connection) acc. to customer requirements. It shall be specified in order.



Valve complete specification No. for ordering CHP

		XXX	X	XXX	/	XX	-	XXX	X
1. Series	Steam cooling unit	CHP							
2. No. of inlets	Acc. to intensity of cooling		X						
3. Nominal diameter	Flange 1 - steam pipeline			XXX					
	Flange 2 - connection of VH, VHP					50			
						80			
4. Nominal pressure	PN 25							025	
	PN 40							040	
	PN 63							063	
	PN 100							100	
5. Body material	Cast steel 1.0425								1
	Alloy steel 1.7335								2

Order example : Steam cooling unit, steam pipeline flange DN 150, PN 40, connection flange DN 80, PN 100, body material 1.0425 is marked as follows: **CHP1 150/80-040 1**



LDM, spol. s r.o.
Litomyšlská 1378
560 02 Česká Třebová
Czech Republic

tel.: +420 465 502 511
fax: +420 465 533 101
E-mail: sale@ldm.cz
<http://www.ldm.cz>

LDM, spol. s r.o.
Büro Prague
Tiskařská 10
108 28 Praha 10 - Malešice
Czech Republic

tel.: +420 234 054 190
fax: +420 234 054 189

LDM, spol. s r.o.
Büro Ústí nad Labem
Mezní 4
400 11 Ústí nad Labem
Czech Republic

tel.: +420 475 650 260
fax: +420 475 650 263

LDM servis, spol. s r.o.
Litomyšlská 1378
560 02 Česká Třebová
Czech Republic

tel.: +420 465 502 411-3
fax: +420 465 531 010
E-mail: servis@ldm.cz

LDM, Polska Sp. z o.o.
Modelarska 12
40 142 Katowice
Poland

tel.: +48 32 730 56 33
fax: +48 32 730 52 33
mobile: +48 601 354999
E-mail:
ldmpolska@ldm.cz

LDM Bratislava s.r.o.
Mierová 151
821 05 Bratislava
Slovakia

tel.: +421 2 43415027-8
fax: +421 2 43415029
E-mail: ldm@ldm.sk
<http://www.ldm.sk>

LDM - Bulgaria - OOD
z. k. Mladost 1
bl. 42, floor 12, app. 57
1784 Sofia
Bulgaria

tel.: +359 2 9746311
fax: +359 2 9746311
GSM: +359 88 925766
E-mail: ldm.bg@mbox.cit.bg

OAO "LDM"
Chernyakhovskogo str., build. 4
125319 Moskau
Russian Federation

tel.: +7 095 7973037
fax: +7 095 7973037
E-mail: inforus@ldmvalves.com

LDM Armaturen GmbH
Wupperweg 21
D-51789 Lindlar
Germany

tel.: +49 2266 440333
fax: +49 2266 440372
mobile: +49 177 2960469
E-mail: ldmarmaturen@ldmvalves.com
<http://www.ldmvalves.com>

Your partner