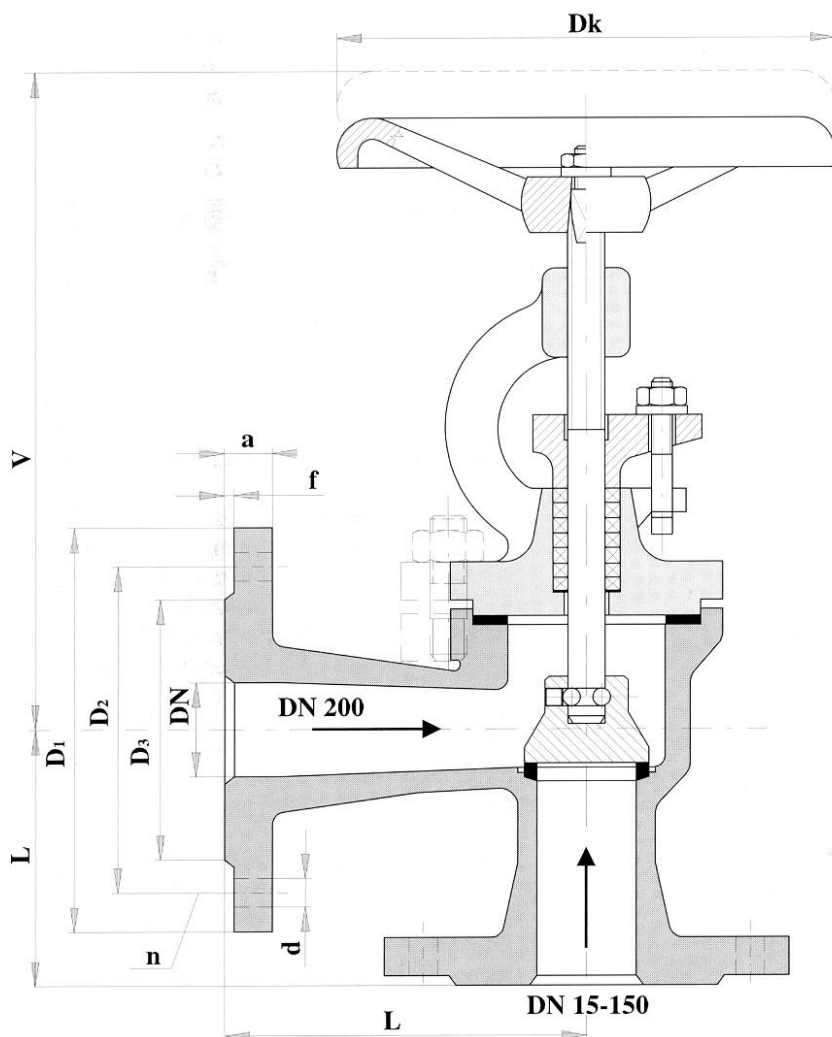


Angle globe valve

V 30 211-616

PN 16



Application

Shut-off valve for water, steam, on special request also for non-aggressive liquids, vapours and gases for service pressures and temperatures:

Temperature [°C]	Pressure [MPa]
120	1,60
150	1,44
180	1,34
200	1,28
250	1,12
300	0,96

The valve is not suitable for valve regulation.

Technical description

The valve is yoke-type. Closing disc fits into a rolled seat in the body. Stem is sealed with gland packing in the bonnet. In DN 15-150 valves the flow direction is from under the disc. For DN 200 valves, the flow direction is from above the disc and internal bypass reduces pressure difference before and after the closing element (pressure drop).

Connecting and face-to-face dimensions

Face-to-face dimensions as per DIN 3202 F1. Flange connecting dimensions as per DIN2501.

Flange faces as per DIN2526, Form C.

Basic connecting and face-to-face dimensions are given in the table below.

Material

Body, bonnet	grey cast iron (GG-22)
Stem	stainless steel (13Cr)
Disc up to DN 100	stainless steel (13Cr)
Disc for DN 125 and above	carbon steel with weld overlay (13Cr)
Gland packing	asbestos-free fibre

Testing

The valve is tested as per DIN 3230.

Installation

The valve can be installed in any position in a pipeline depending on the flow direction. However, the recommended position is with the stem vertical and the handwheel upwards.

Operation

The valve is operated by handwheel (ON 13 3110), chainwheel (ON 13 3130) or from a stand (ON 13 3140 and ON 13 4142).

DN	D _k	L	V	D ₁	D ₂	D ₃	a	f	d	n	kg
15	125	65	170	95	65	47	14	2	14	4	4
25	125	80	200	115	85	68	16	2	14	4	5
40	160	100	275	150	110	88	18	3	18	4	10
50	160	115	275	165	125	102	20	3	18	4	13
65	200	145	345	185	145	122	20	3	18	4	19
80	200	155	355	200	160	133	22	3	18	8	24
100	250	175	415	220	180	158	24	3	18	8	35
125	250	200	495	250	210	184	26	3	18	8	51
150	320	240	545	285	240	212	26	3	22	8	70
200	400	300	685	340	295	268	30	3	22	12	142